



480W Single Output Industrial DIN RAIL Power Supply

WDR-480 series



■ Features :

- Single and two phase wide input range 180~550VAC
- Built-in active PFC circuit compliance to EN61000-3-2
- High efficiency 93% and low power dissipation
- Protections: Short circuit / Overload / Over voltage / Over temperature
- Cooling by free air convection
- Can be installed on DIN rail TS-35/7.5 or 15
- UL 508(industrial control equipment)approved
- EN61000-6-2(EN50082-2) industrial immunity level
- Built-in DC OK relay contact
- 100% full load burn-in test
- 3 years warranty



SPECIFICATION

| MODEL | WDR-480-24 | WDR-480-48 | |
|-----------------------|---|--|----------|
| OUTPUT | DC VOLTAGE | 24V | 48V |
| | RATED CURRENT | 20A | 10A |
| | CURRENT RANGE | 0 ~ 20A | 0 ~ 10A |
| | RATED POWER | 480W | 480W |
| | RIPPLE & NOISE (max.) Note.2 | 100mVp-p | 150mVp-p |
| | VOLTAGE ADJ. RANGE | 24 ~ 28V | 48 ~ 55V |
| | VOLTAGE TOLERANCE Note.3 | ±1.0% | ±1.0% |
| | LINE REGULATION | ±0.5% | ±0.5% |
| | LOAD REGULATION | ±1.0% | ±1.0% |
| | SETUP, RISE TIME | 800ms, 150ms/400VAC 2000ms, 150ms/230VAC at full load | |
| HOLD UP TIME (Typ.) | 18ms / 400VAC 16ms / 230VAC at full load | | |
| INPUT | VOLTAGE RANGE Note.6 | 180 ~ 550VAC 254 ~ 780VDC | |
| | FREQUENCY RANGE | 47 ~ 63Hz | |
| | POWER FACTOR (Typ.) | PF ≥ 0.84/400VAC PF ≥ 0.84/230VAC | |
| | EFFICIENCY (Typ.) | 92% | 93% |
| | AC CURRENT (Typ.) | 1.6A/400VAC 4A/230VAC | |
| | INRUSH CURRENT (Typ.) | COLD START 50A | |
| LEAKAGE CURRENT | <3.5mA / 530VAC | | |
| PROTECTION | OVERLOAD | 105 ~ 130% rated output power Protection type : Constant current limiting, unit will shut down after 3 sec. ,auto-recovery after 1 minute if the fault condition is removed | |
| | OVER VOLTAGE | 29 ~ 33V | 56 ~ 65V |
| | OVER TEMPERATURE | 95°C ±5°C (TSW) detect on heatsink of power switch Protection type : Shut down o/p voltage, recovers automatically after temperature goes down | |
| FUNCTION | DC OK REALY CONTACT RATINGS (max.) 60Vdc/0.3A, 30Vdc/1A, 30Vac/0.5A resistive load | | |
| ENVIRONMENT | WORKING TEMP. Note.5 | -30 ~ +70°C (Refer to "Derating Curve") | |
| | WORKING HUMIDITY | 20 ~ 95% RH non-condensing | |
| | STORAGE TEMP, HUMIDITY | -40 ~ +85°C, 10 ~ 95% RH | |
| | TEMP. COEFFICIENT | ±0.03%/°C (0 ~ 50°C) | |
| | VIBRATION | Component:10 ~ 500Hz, 2G 10min./1cycle, 60min. each along X, Y, Z axes; Mounting: Compliance to IEC60068-2-6 | |
| SAFETY & EMC (Note 4) | SAFETY STANDARDS | UL508 approved, IEC60950-1 CB approved by SIQ, design refer to GL | |
| | WITHSTAND VOLTAGE | I/P-O/P:3KVAC I/P-FG:2KVAC O/P-FG:0.5KVAC O/P-DC OK:0.5KVAC | |
| | ISOLATION RESISTANCE | I/P-O/P, I/P-FG, O/P-FG:>100M Ohms / 500VDC / 25°C / 70% RH | |
| | EMC EMISSION | Compliance to EN55022 (CISPR22), EN61204-3 Class B, EN61000-3-2,-3 | |
| OTHERS | EMC IMMUNITY | Compliance to EN61000-4-2,3,4,5,6,8,11, EN55024, EN61000-6-2 (EN50082-2), EN61204-3, heavy industry level, criteria A approved | |
| | MTBF | 112.8K hrs min. MIL-HDBK-217F (25°C) | |
| | DIMENSION | 85.5*125.2*128.5mm (W*H*D) | |
| | PACKING | 1.7Kg; 8pcs/14.6Kg/0.9CUFT | |
| NOTE | <ol style="list-style-type: none"> 1. All parameters NOT specially mentioned are measured at 400VAC input, rated load and 25°C of ambient temperature. 2. Ripple & noise are measured at 20MHz of bandwidth by using a 12" twisted pair-wire terminated with a 0.1uf & 47uf parallel capacitor. 3. Tolerance : includes set up tolerance, line regulation and load regulation. 4. The power supply is considered a component which will be installed into a final equipment. The final equipment must be re-confirmed that it still meets EMC directives. 5. Installation clearances : 40mm on top, 20mm on the bottom, 5mm on the left and right side are recommended when loaded permanently with full power. In case the adjacent device is a heat source, 15mm clearance is recommended. 6. Derating may be needed under low input voltage. Please check the derating curve for more details. | | |

File Name:WDR-480-SPEC 2012-07-30



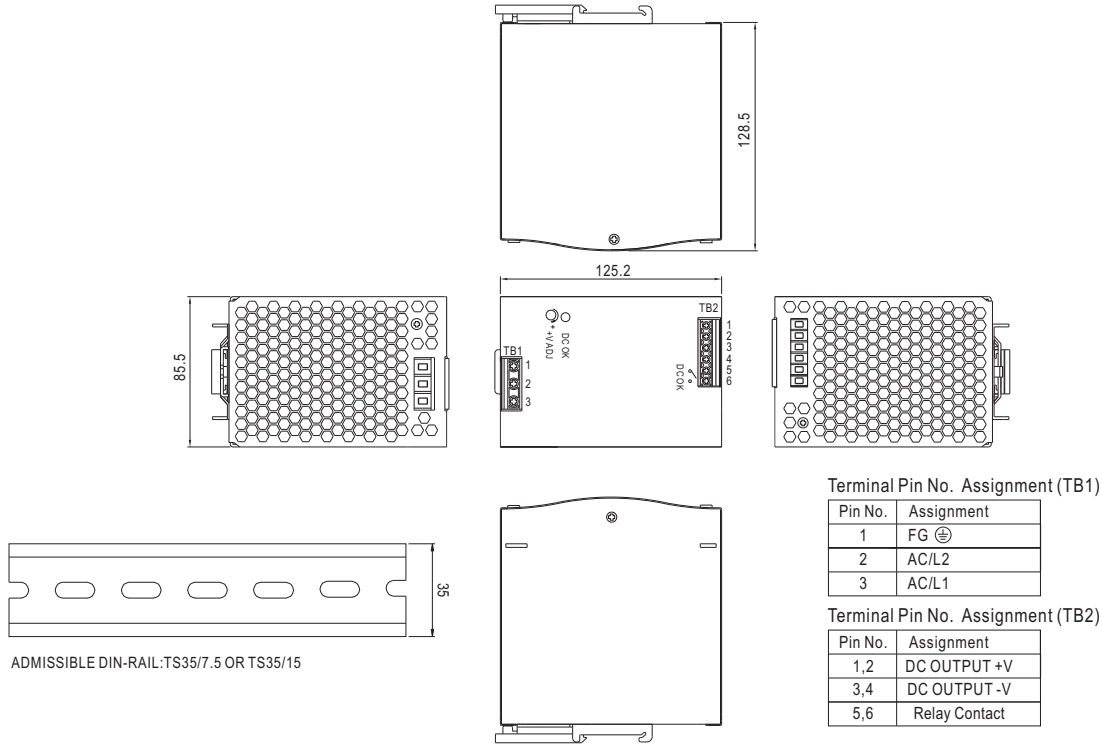


480W Single Output Industrial DIN RAIL Power Supply

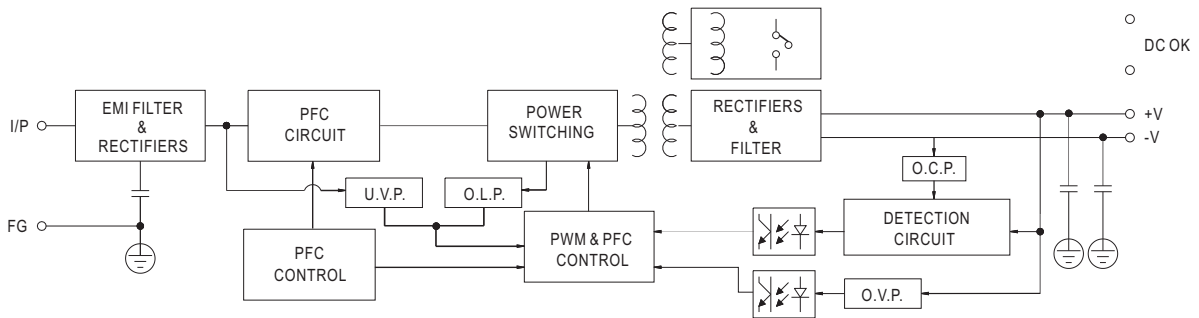
WDR-480 series

Mechanical Specification

Case No.984B Unit:mm



Block Diagram



DC OK Relay Contact

| | |
|------------------------|--------------------------|
| Contact Close | PSU turns on / DC OK. |
| Contact Open | PSU turns off / DC Fail. |
| Contact Ratings (max.) | 30V/1A resistive load. |

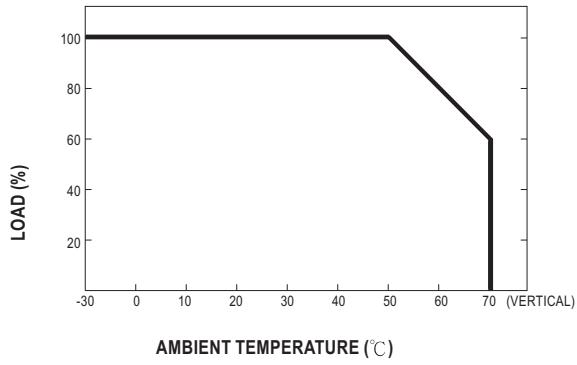




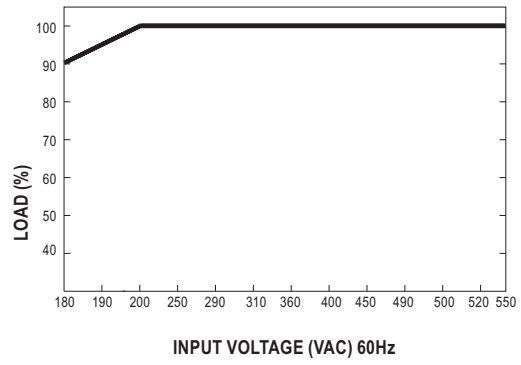
480W Single Output Industrial DIN RAIL Power Supply

WDR-480 series

■ Derating Curve



■ Output derating VS input voltage



File Name:WDR-480-SPEC 2012-07-30



We are here for you. Addresses and Contacts

Sales Switzerland & Liechtenstein

Matthias Rüegg
Ruhbergstrasse 32
CH-9230 Flawil

Phone +41 44 877 35 18
Mobile+41 76 491 66 66
Fax +41 44 877 35 19

matthias.rueegg@pewatron.com

Sales International Key Accounts

Peter Felder
Thurgauerstrasse 66
CH-8052 Zürich

Phone +41 44 877 35 05
Mobile+41 79 406 49 83
Fax +41 44 877 35 25

peter.felder@pewatron.com

Sales Germany

Postcode 60000–79999

Dieter Hirthe
Mühlweg 23
D-71554 Weissach i.T.

Phone +49 719 149 60 58
Mobile+49 163 762 74 30
Fax +49 719 193 31 88

dieter.hirthe@pewatron.com

Postcode 10000–59999
Postcode 80000–99999

Kurt Stritzelberger
Neumarkter Str. 86a
D-81673 Munich

Phone +49 89 260 38 47
Mobile+49 171 803 41 35
Fax +49 89 43 10 91 91

kurt.stritzelberger@pewatron.com

Key Accounts
Aerospace and Defence

Claus Wübbena
Vogelkamp 26
D-26655 Westerstede

Phone +49 4488 5204 614
Mobile+49 173 9700 691
Fax +49 4488 5204 616

claus.wuebbena@pewatron.com

Sales Austria

Kurt Stritzelberger
Neumarkter Str. 86a
D-81673 Munich

Phone +49 89 260 38 47
Mobile+49 17 18 03 41 35
Fax +49 89 43 10 91 91

kurt.stritzelberger@pewatron.com

Sales Other Countries / Product Management

Sensors

Physical Sensors
Data Acquisition

Thomas Clausen
Phone +41 44 877 35 13
thomas.clausen@pewatron.com

Geometrical Sensors

Eric Letsch
Phone +41 44 877 35 14
eric.letsch@pewatron.com

Power Supplies

DC-DC Converters
Switching Power Supplies
DC-AC Inverters

Sebastiano Leggio
Phone +41 44 877 35 06
sebastiano.leggio@pewatron.com

E-Components

Current Sensors
Man Machine Interface
Measurement Probes

Sebastiano Leggio
Phone +41 44 877 35 06
sebastiano.leggio@pewatron.com

PEWATRON AG
Thurgauerstrasse 66
CH-8052 Zurich

Phone +41 44 877 35 00
Fax +41 44 877 35 25

www.pewatron.com
info@pewatron.com